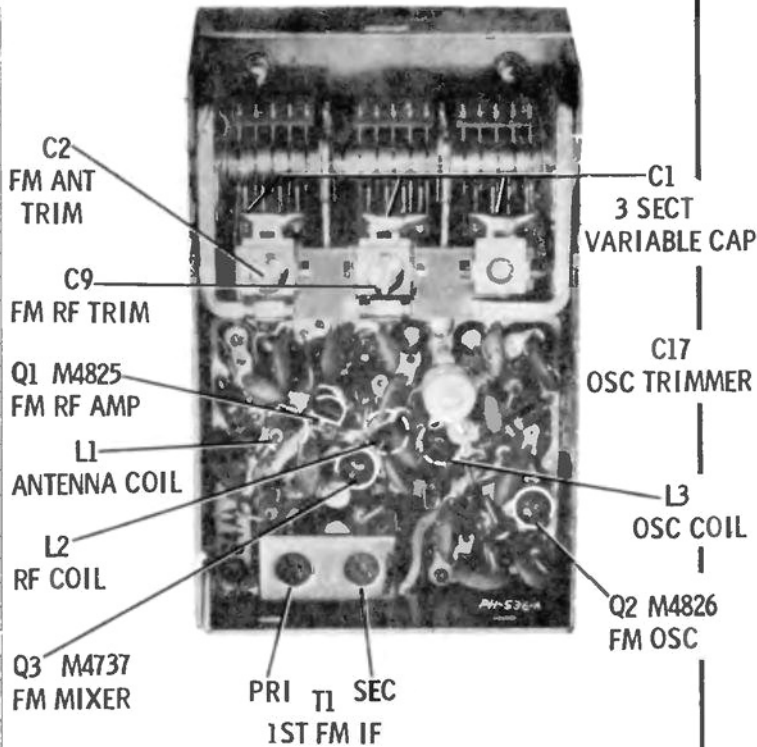


MOTOROLA MODELS PP207C, PP209C, PK403C, SK455C, SK456C, SK457C

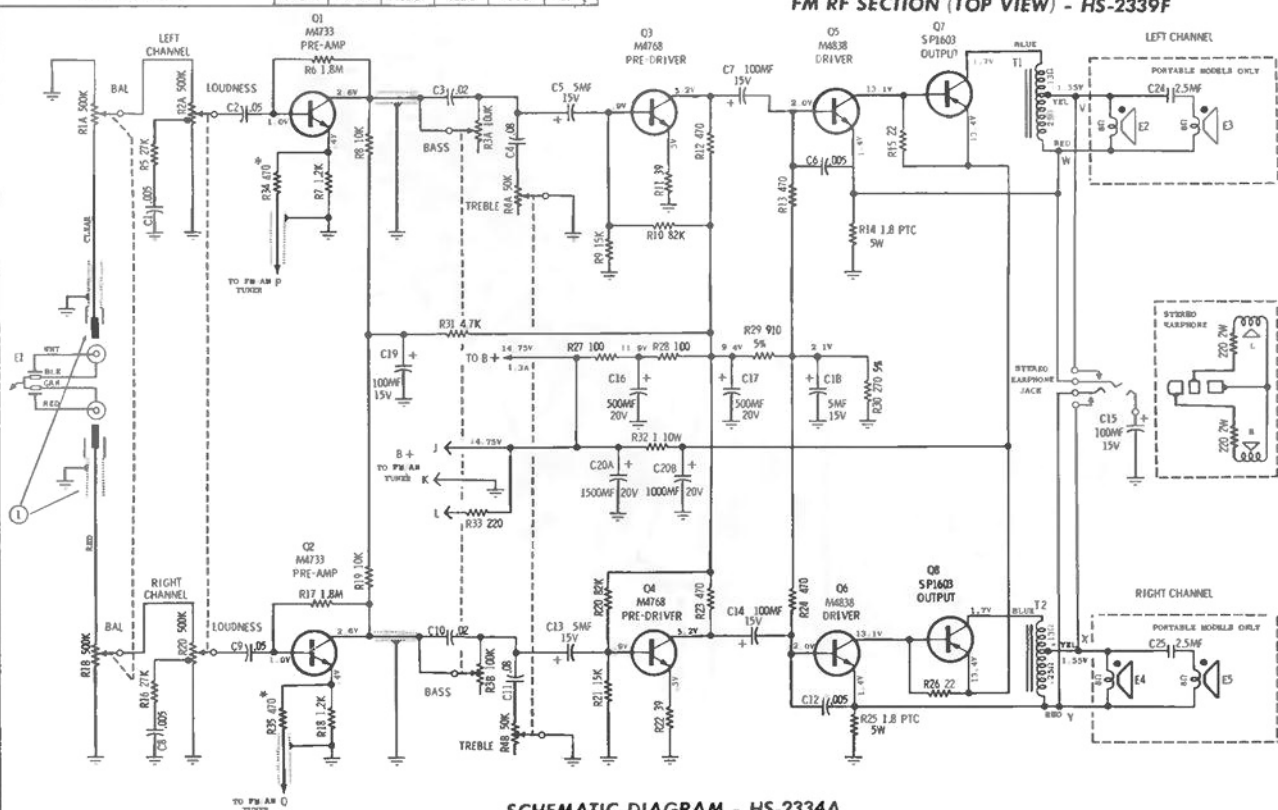
(Continued on next two pages.)

CHASSIS HS-2334A, HS-2339F, HS-2349C

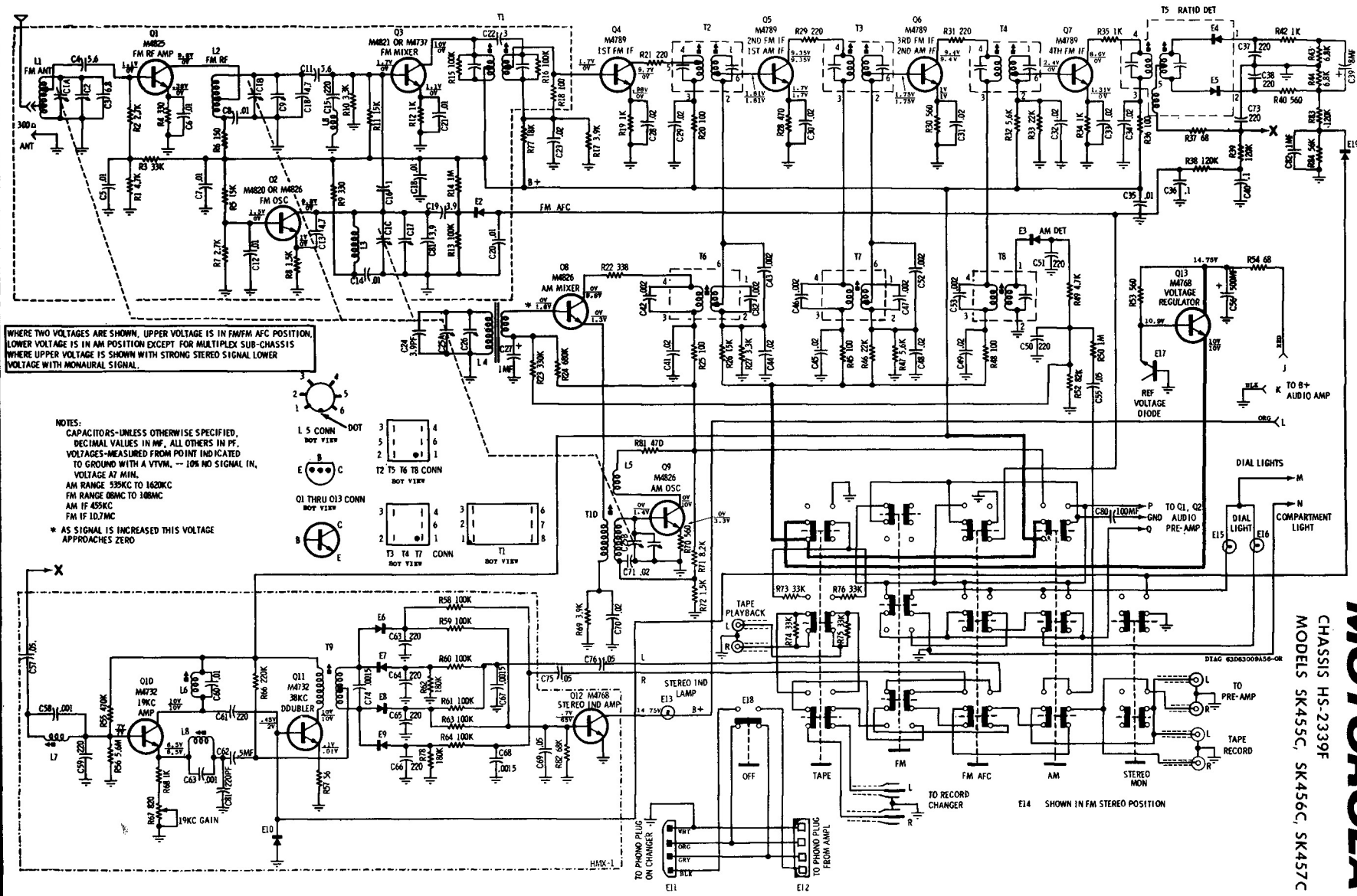
MODEL NUMBER	PP 207C	PP 209C	PK 403C	SK 455C	SK 456C	SK 457C
CHANNELS	2	2	2	2	2	2
WATTS-MUSIC POWER OUTPUT	5	5	5	5	5	5
MOTOROLA 4 SPEED AUTOMATIC RECORD CHANGER	M 113RC	M 114RC	VM 124RC	VM 124RC	VM 119RC	VM 119RC
CARTRIDGE	Cer.	Cer.	Cer.	Cer.	Cer.	Cer.
STYLII	Saph	Dia.	Dia.	Dia.	Dia.	Dia.
CHANGER COMPARTMENT LIGHT						
RECORD STORAGE			Yes	Yes	Yes	Yes
OUTPUT STAGE	S.E.	S.E.	S.E.	S.E.	S.E.	S.E.
LOUDNESS CONTROL	Yes	Yes	Yes	Yes	Yes	Yes
TONE CONTROL						
BASS AND TREBLE CONTROL	Yes	Yes	Yes	Yes	Yes	Yes
BALANCE CONTROL	Yes	Yes	Yes	Yes	Yes	Yes
TRANSFORMER POWER SUPPLY	Yes	Yes	Yes	Yes	Yes	Yes
DN OFF INDICATOR			Yes	Yes	Yes	Yes
STEREO HEADPHONE JACK			Yes	Yes	Yes	Yes
TAPE INPUT AND OUTPUT JACKS				Yes	Yes	Yes
NOISE FILTER						
LDC/DIST SWITCH				Yes	Yes	Yes
EXTENDED BASS						
FM MUTE						
NUMBER OF TRANSISTORS	8	8	8	21	21	21
45 R.P.M. SPINDLE AND STORAGE	Yes	Yes	Yes	Yes	Yes	Yes
TUNER CHASSIS				HS 2339F	HS 2339F	HS 2339F
AMPLIFIER CHASSIS	HS 2349C	HS 2349C	HS 2234	HS 2334	HS 2334	HS 2334
MODEL NUMBER	PP 207C	PP 209C	PK 403C	SK 455C	SK 456C	SK 457C



FM RF SECTION (TOP VIEW) - HS-2339F

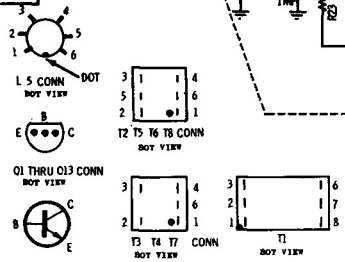


SCHEMATIC DIAGRAM - HS-2334A

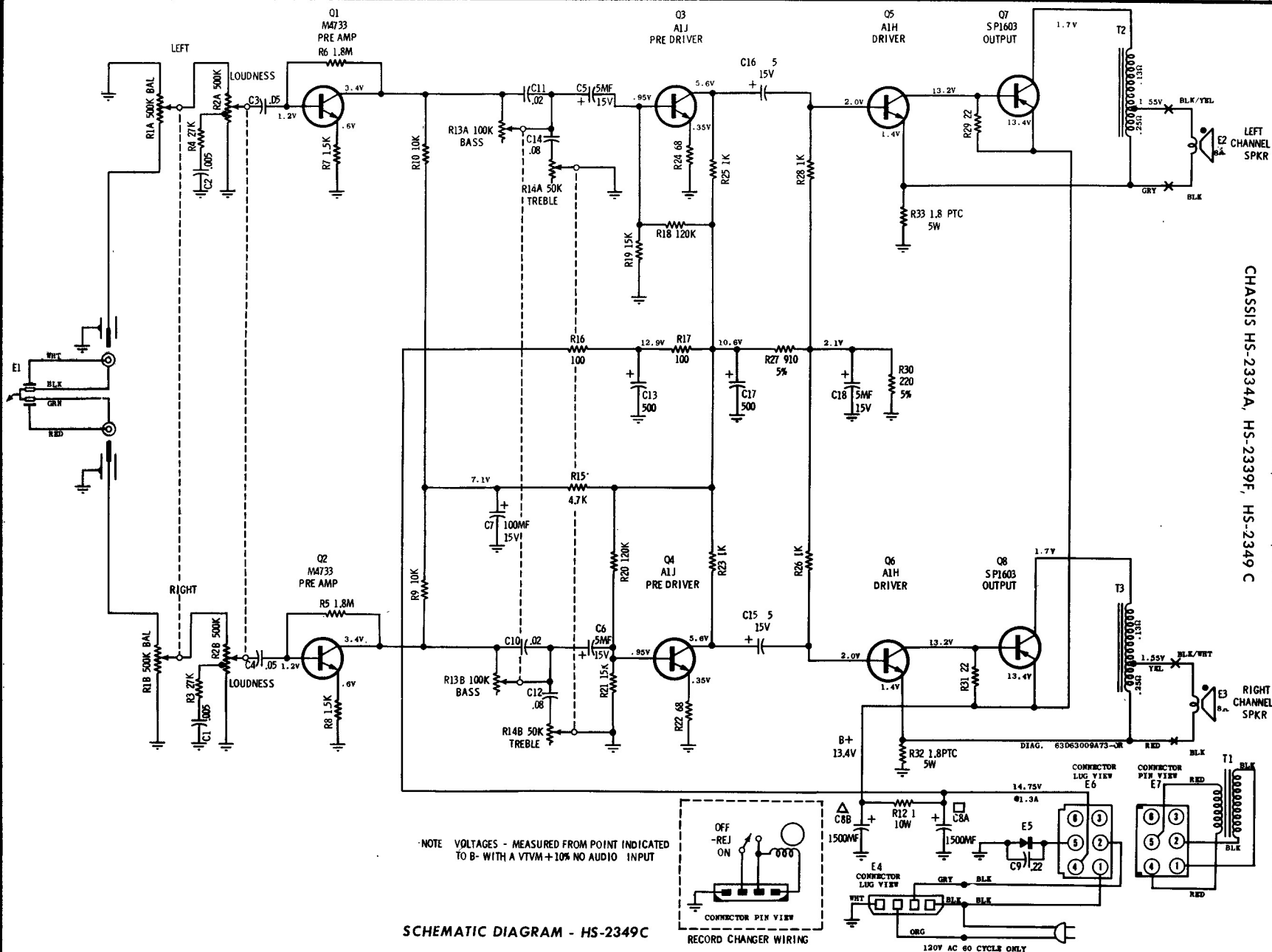


WHERE TWO VOLTAGES ARE SHOWN, UPPER VOLTAGE IS IN FM/AM AFC POSITION, LOWER VOLTAGE IS IN AM POSITION EXCEPT FOR MULTIPLEX SUB-CHASSIS WHERE UPPER VOLTAGE IS SHOWN WITH STRONG STEREO SIGNAL LOWER VOLTAGE WITH MONAURAL SIGNAL.

NOTES:
 CAPACITORS—UNLESS OTHERWISE SPECIFIED, DECIMAL VALUES IN MF, ALL OTHERS IN PF. VOLTAGES—MEASURED FROM POINT INDICATED TO GROUND WITH A VTVM, — 10% NO SIGNAL IN, VOLTAGE AT MIN.
 AM RANGE 55Kc TO 1620Kc
 FM RANGE 88Mc TO 108Mc
 AM IF 455Kc
 FM IF 10.7Mc
 * AS SIGNAL IS INCREASED THIS VOLTAGE APPROACHES ZERO

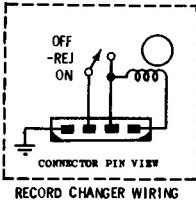


SCHEMATIC DIAGRAM - HS-2339F



NOTE VOLTAGES - MEASURED FROM POINT INDICATED TO B- WITH A VTVM +10% NO AUDIO INPUT

SCHEMATIC DIAGRAM - HS-2349C



120V AC 60 CYCLE ONLY